

10/100BASE-T LAN MAGNETICS

Quad Transformer Modules

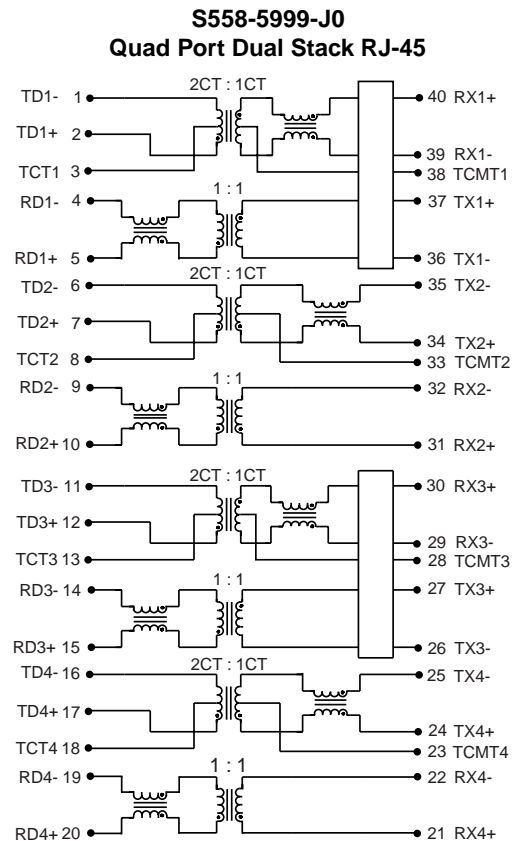
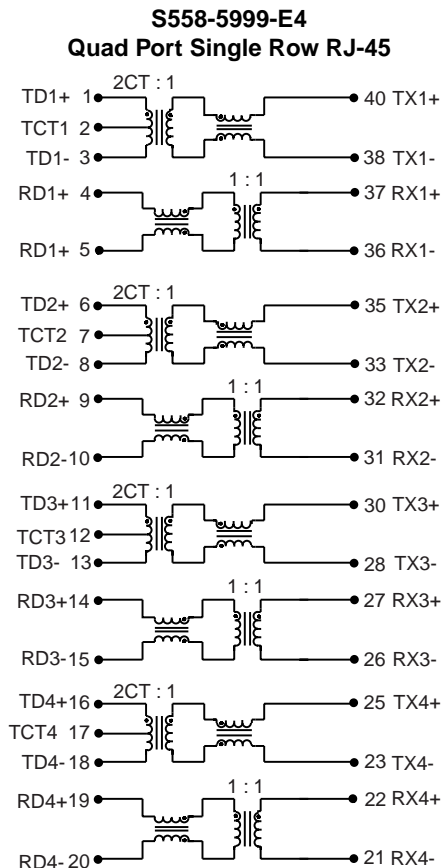
LM00404

- Quad, four-port designs provide excellent EMI and common mode noise suppression
- Meets all IEEE 802.3 standards including 350µH with 8mA bias
- Low profile, surface mount packaging rated to 225° C peak IR reflow temperature
- Minimum interwinding breakdown voltage of 1500 Vrms
- Operating temperature 0° to 70° C

ELECTRICAL SPECIFICATIONS AT 25° C

Part Number	Turns Ratio		Insertion Loss dB max	Return Loss dB min				Common to Differential Mode Rejection dB min	Common to Common Mode Rejection dB min	Crosstalk dB min			
	TX	RX		100kHz to 100MHz	100kHz to 30MHz	30MHz to 60MHz	60MHz to 80MHz			100kHz to 100MHz	1MHz	30MHz	60MHz
S558-5999-E4	2CT : 1	1 : 1	-1.0	-18	18 - 13log (f/30MHz)	-12	40	30	-65	-55	-45	-35	
S558-5999-J0	2CT : 1CT	1 : 1	-1.0	-18	18 - 13log (f/30MHz)	-12	40	30	-65	-55	-45	-35	
S558-5999-77	1.23CT : 1CT	1 : 1	1.0	-18	18 - 13log (f/30MHz)	-12	40	30	-65	-55	-45	-35	

SCHEMATICS

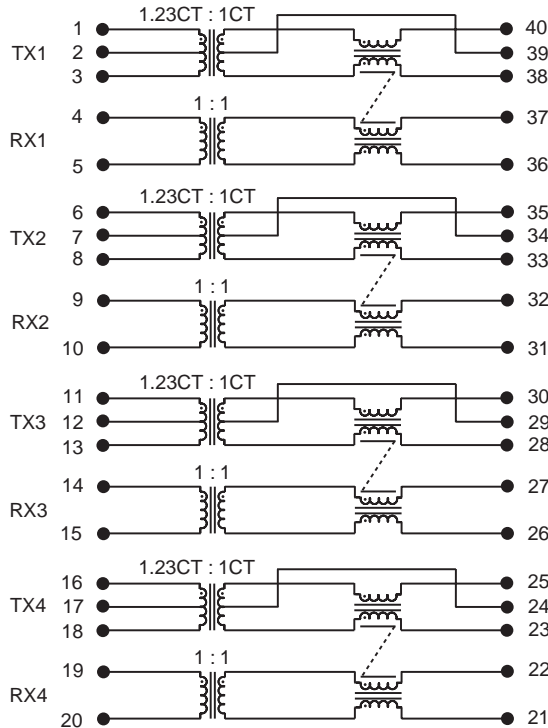


©2001Bel Fuse Inc. Specifications subject to change without notice. 09.01

LM00404

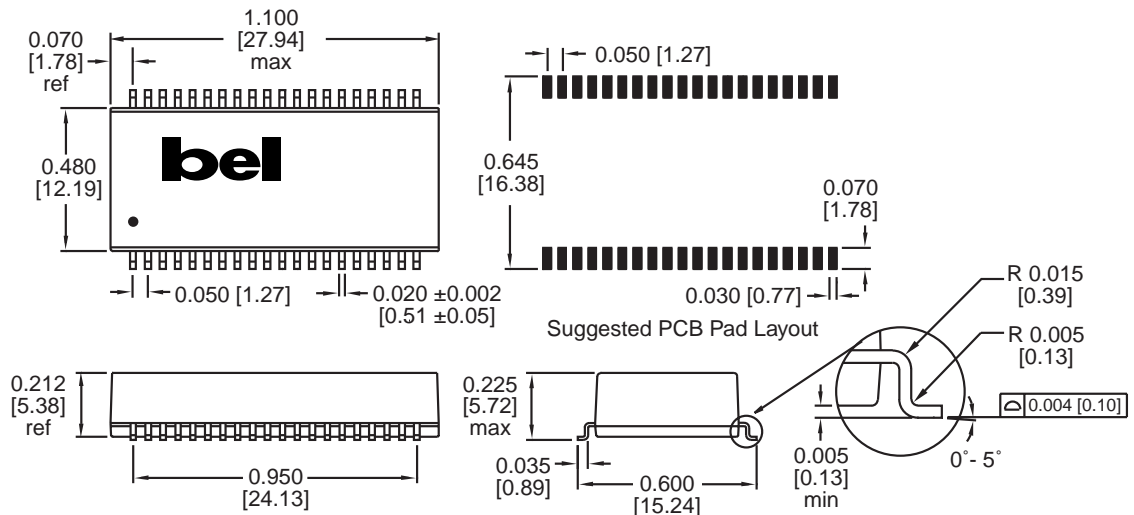
SCHEMATICS

S558-5999-77



MECHANICAL

S558-5999-77
S558-5999-E4
S558-5999-J0



©2001 Bel Fuse Inc. Specifications subject to change without notice. 09.01

CORPORATE

Bel Fuse Inc.
206 Van Vorst Street
Jersey City, NJ 07302
Tel 201-432-0463
Fax 201-432-9542
www.belfuse.com

FAR EAST

Bel Fuse Ltd.
8F / 8 Luk Hop Street
San Po Kong
Kowloon, Hong Kong
Tel 852-2328-5515
Fax 852-2352-3706
www.belfuse.com

EUROPE

Bel Fuse Europe Ltd.
Preston Technology Management Centre
Marsh Lane, Suite G7, Preston
Lancashire, PR1 8UD, U.K.
Tel 44-1772-556601
Fax 44-1772-888366
www.belfuse.com